

Address





GET AROUND ALL-ROUNDER

A lifestyle statement that says as much about your personality as where you want to go, this head-turning, street-smart all-rounder is more than a stylish commuter. Sporting breathtaking acceleration and optimized fuel economy, and an accommodating 20.6 liter luggage compartment that provides more than ample room for your helmet and riding gear. Plus, the sleek city dimension makes every ride - whether it's to the school or office, shopping runs - a sheer exciting.





Underseat storage

Stash your full-face helmet*, rain gear and other items in the roomy 20.6 liter utility compartment, generously designed for extra spaciousness and convenience.

Note

- Helmets and luggage items are shown for illustrative purpose only.
- Helmets of certain shapes may not fit in the underseat storage compartment.
- Do not use the storage compartments for items that are fragile, valuable, dangerous, or susceptible to heat.

Double helmet hook

Reinforced hooks on both left and right sides allow for helmet stowage and convenience when parked.

Large fuel tank

Equipped with a large-capacity 5.2 liter fuel tank, the 2.04 L / 100 km* fuel efficient engine propels the new ADDRESS up to an astonishing 255 km on a single tank.

Note

- Measured by SUZUKI in WMTC mode.
- Actual fuel economy may vary by condition.



Utility

Front inner Pocket

Both left (600 ml) and right (500 ml) storage compartments provide ample room together with covered key functionality layout above the right pocket. (Total maximum weight 1.5 kg)

Convenient hook

A sturdy convenience hook lets you hook and carry your many types of bag. (Maximum weight 1.5 kg)

Covered key with seat opener

Key hole is covered by lid to prevent motorcycle theft. Easily access the under-seat compartment using the main ignition keyhole, eliminating the need to remove key to open seat compartment.

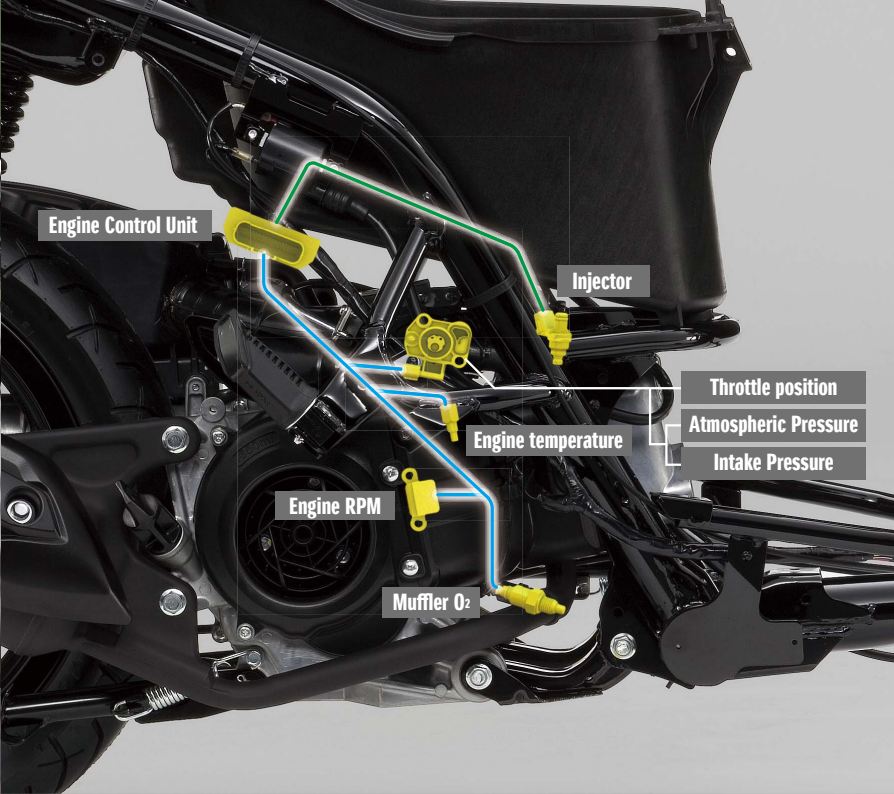


Great Fuel Economy 2.04 L / 100 km in WMTC



The re-engineered 113cm³ power plant delivers good acceleration and fuel efficiency. Providing the lowest amount of friction among SUZUKI's performance-proven compact motor scooter engines, this remarkable motor powers the new ADDRESS to new heights of performance and fuel efficiency. Optimized valve angle and intake port design combined with an intelligent fuel-injection system, redesigned camshaft and roller rocker arm together make Suzuki Address not only powerful and economical but extremely quiet.



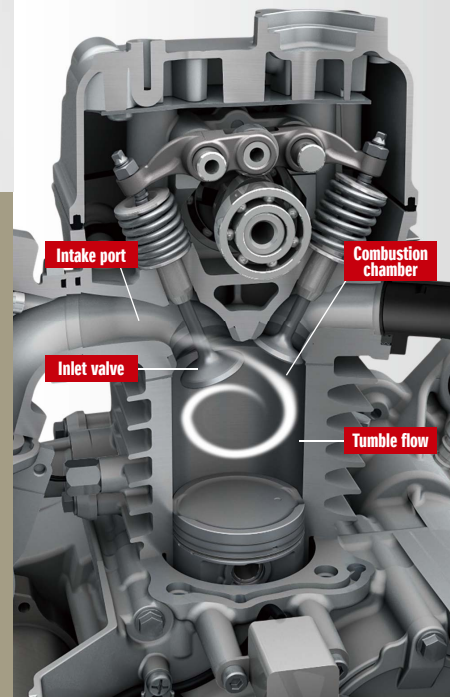


New fuel injection system

Sensors accurately detect throttle position, engine RPM, atmospheric pressure, intake pressure, engine temperature, muffler O₂, and this data is aggregated in the ECU. SUZUKI's ECU processes the data in real-time to calculate the optimal fuel suited for the riding condition. A narrower valve-angle and optimized air intake port create more vertical tumbling swirls that help combust fuel faster and more efficiently. Air-fuel mixture is further refined by increased number of injection holes and its design, which result in more precise fuel mixture.

Injector

With an increased number of holes for injecting the fuel, a much finer and more efficient fuel can be injected.



2.04 L / 100 km fuel consumption*

To improve combustion you must control the combustion speed within the combustion chamber. By focusing on the tumble motion Suzuki engineers have improved combustion efficiency. Tumble motion is the vortex flow generated when the air-fuel mixture enters the combustion chamber from the intake port. This improved efficiency has been achieved with an optimized surfaces for the exhaust valve head and intake port.

*WMTc measured by SUZUKI



Piston

Performance-affecting friction within the engine has been dramatically reduced thanks to the improved piston skirt and pin diameter designs.

Piston ring

Low tensile piston ring reduces the friction loss.

Oil drain hole

ADDRESS utilizes the same oil drain holes as the GSX-R1000 and MotoGP™ machines. Bottom notched holes in the oil control ring contribute to greater oil circulation efficiency.



Camshaft

Advanced design cam profile significantly improves fuel combustion efficiency while minimizes noise.

Roller rocker arm

Roller bearings on the rocker arm reduce friction between it and the camshaft, thereby reducing power loss and improving engine efficiency.



Oil pump

Adopting low-friction engine components in the oil pump helps radically reduce the amount of oil required, thus allowing for a more compact and lightweight oil pump.

Comfortable

Riding position

The new streamlined dimensions are built with generous comfort in mind. What's more, the ADDRESS's floor board has enough space to adjust your foot position.

Aluminum wheel with hollow structure

Sporty-looking aluminum casting wheels with hollow core architecture add extra strength and help reduce overall weight, as well as showing off individual distinction.



*Rider height 165cm



Headlight

Enlarged distinctively shaped headlight is smartly integrated into the handle cover, with chic black trim mask giving the front a sharp yet slim appearance.

It's not hard to be noticed with the ADDRESS's definitive sharp, youthful good looks. And this universal shape attracts far beyond your local streets to every road you ride – near or far.

Character line on body surface

Finely designed edges and slender lines along the body and to the leg shield and fender evoke unique youthful personality that make you stand out with verve and vitality.

Large floor board

The large floorboard provides plenty of space to accommodate shoes of many size.

Cutaway floorboards

For comfortable positioning, the floorboard is recessed where your feet contacts the board.

Side stand interlock system

A side stand switch prevents engine ignition, while the side stand is down.



Rear brake lock system

The rear brake can be locked in the engaged position. Useful for stabilizing the vehicle for parking using the side stand.

Rear carrier

A large-capacity rear carrier comes as standard equipment and can be fitted with a genuine accessory top case. (Maximum weight 5 kg)



Genuine Accessories

Note

- SUZUKI MOTOR CORPORATION reserves the right to add any improvement to change the design or to discontinue any Suzuki Genuine Accessories at any time without notice.
- Some Suzuki Genuine Accessories might not be compatible with local standards or statutory requirements. Please check with your local AUTHORIZED SUZUKI DEALER for details at the time of ordering.
- Actual colors might differ from those appearing in this catalogue.



Rear top case

Large-capacity top case manufactured by GIVI® can be equipped to the rear carrier. Cushion-padding material is ideally positioned to where the pillion rider's back meets the top case. Adorned with the Suzuki logo.



Rear carrier

The rear carrier can be fitted with a genuine accessory top case.

Windscreen

The wide windscreen is custom designed to match contours of the handle cover. The height of the windscreen permits unobstructed visibility while protecting the rider from the wind.

Knuckle cover

Cover helps to protect your hands from flying tiny stone and debris. Minimizes the wind hitting the rider's hands.



Inner cover

The inner cover is lined with protective material to help prevent content in the utility box from scratches and other damage.



Body stripe & Wheel pinstripe

Exclusive body stripe decals and pinstriped wheels enhance ADDRESS's sporty good looks.



Overall length	1,845 mm (72.6 in)
Overall width	665 mm (26.2 in)
Overall height	1,095 mm (43.1 in)
Wheelbase	1,260 mm (49.6 in)
Ground clearance	120 mm (4.7 in)
Seat height	755 mm (29.7 in)
Curb mass	97 kg (214 lbs)
Engine type	4-stroke, 1cylinder, air-cooled, SOHC
Bore × Stroke	51.0 mm × 55.2 mm (2.008 in × 2.173 in)
Displacement	113 cm ³ (6.9 cu.in)
Compression ratio	9.4 : 1
Fuel system	Fuel injection
Starter system	Electronic and primary kick
Lubrication system	Wet sump
Transmission	CVT
Suspension	Front Telescopic, coil spring, oil damped
	Rear Swingarm type, coil spring, oil damped
Rake / Trail	25°45' / 97 mm (3.82 in)
Brakes	Front Disc brake
	Rear Drum brake
Tires	Front 80/90-14 M/C 40P
	Rear 90/90-14 M/C 46P
Ignition system	Electronic ignition (Transistorized)
Fuel tank capacity	5.2 L (1.4 US gal.)
Oil capacity (Overhaul)	0.8 L (0.2 US gal.)

Color variations & Specifications



Metallic Ice Silver (YNJ)



Titan Black (YVU)



Brilliant White (YUH)

Images shown in this catalogue contains computer-generated composites. Specifications, appearance, colors (including body color), equipment, materials and other aspects of the "SUZUKI" products shown in this catalogue are subject to change by Suzuki at any time without notice, and they may vary depending on local conditions or requirements. Some models are not available in some regions. Each model may be discontinued without notice. Please inquire at your local dealer for details of any such changes.

- Always wear a helmet, eye protection and protective clothing. ■ Enjoy riding safely.
- Read your Owner's Manual carefully. ■ Never ride under the influence of alcohol or other drugs.

PRINTED IN JAPAN Address (UK110NE) Product Information 99999-A7302-251 sep '14

SUZUKI MOTOR CORPORATION

300 Takatsuka-cho, Minami-ku, Hamamatsu City, JAPAN 432-8611

www.globalsuzuki.com

*SUZUKI MOTOR CORPORATION reserves the right to add any improvement to change the design or to discontinue any Suzuki Genuine Accessories at any time without notice. Some Suzuki Genuine Accessories might not be compatible with local standards or statutory requirements. Please check with your local AUTHORIZED SUZUKI DEALER for details at the time of ordering. Actual colors might differ from those appearing in this catalogue.

